

OCTOBER 1, 2007

BULLETIN

CTSS-07

# Erickson

[www.ericksonelectric.com](http://www.ericksonelectric.com)

1200 AMP. TO 2500 AMP.

## METERING TRANSFORMER CABINETS

(FOR USE WITH UNDERGROUND  
SERVICE CONDUCTORS)

WITH

## SERVICE DISCONNECT SWITCH



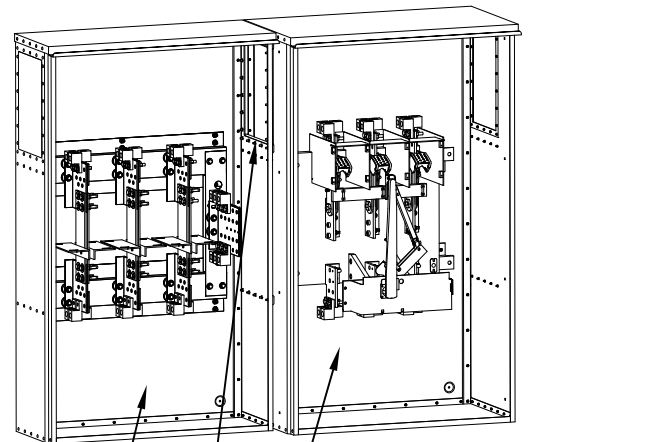
FILE NO. E62784

&

FILE NO. E128632

208Y/120V  
OR  
480Y/277V

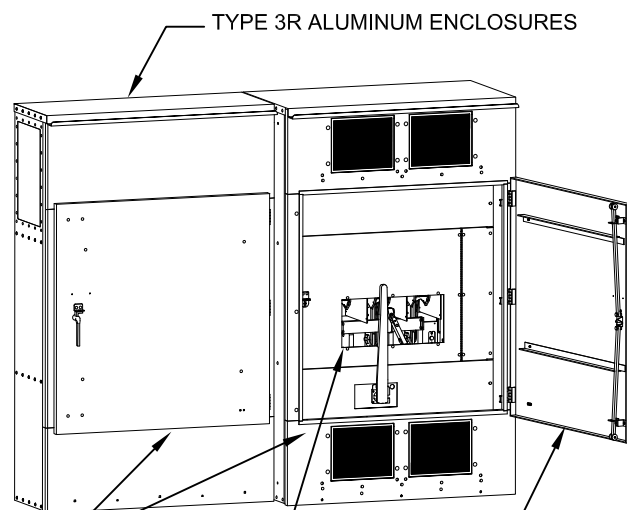
TYPE 3R ENCLOSURE



SERVICE DISCONNECT  
SWITCH, CLASS 'L' FUSIBLE

BUSHED OPENINGS ARE PROVIDED  
BETWEEN ENCLOSURES FOR PASSAGE  
OF FIELD-INSTALLED CONDUCTORS

CABINET FOR UTILITY PROVIDED  
METERING TRANSFORMERS



TYPE 3R ALUMINUM ENCLOSURES

PADLOCKABLE  
DOORS OVER METERING  
SECTION & SWITCH SECTION

OUTER DOOR -  
COVERS SWITCH HANDLE  
AND INNER DEADFRONT

VIEWING WINDOW ALLOWS  
VISUAL CONFIRMATION OF  
POSITION OF SWITCH CONTACTS

**ERICKSON ELECTRICAL EQUIPMENT CO.**

475 BONNIE LANE • ELK GROVE VILLAGE, IL 60007

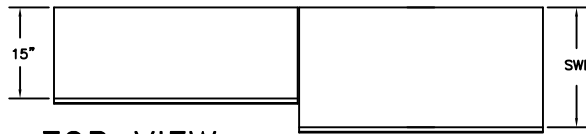
TELEPHONE: (847) 640-7701 / 1-800-952-7225

FAX: (847) 640-0565

**CURRENT TRANSFORMER CABINET & SERVICE SWITCH  
BOTTOM ENTRY (LINE) BOTTOM EXIT (LOAD)**

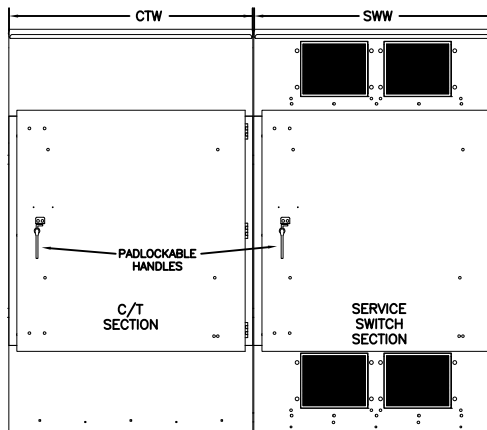
AMPACITY	CATALOG NUMBERS		DIMENSIONS			
	208Y/120V	480Y/277V	H	CTW	SWW	SWD
1200A	CTSS-00140.17	CTSS-00140.18*	66"	36"	40"	21"
1600A	CTSS-00150.17	CTSS-00150.18*	66"	36"	40"	21"
2000A	CTSS-00160.17	CTSS-00160.18*	66"	40"	40"	21"
2500A	CTSS-00170.17	CTSS-00170.18*	66"	40"	40"	21"

\* 1200 - 2500A SWITCHES RATED 480Y/277V ARE PROVIDED WITH G.F.I.



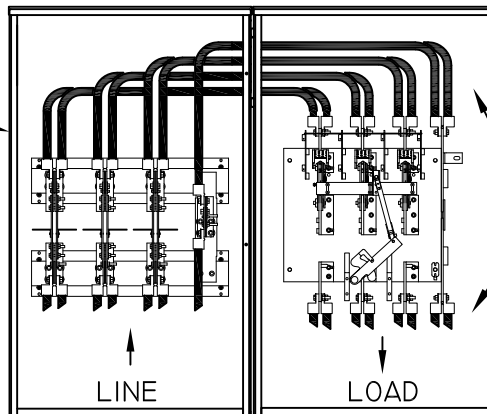
**TOP VIEW**

NOTE:  
THE ENCLOSURES ARE SHOWN ASSEMBLED FOR LINE CONDUCTORS ENTERING ON THE LEFT SIDE. THE ENCLOSURES MAY BE REARRANGED FOR LINE CONDUCTOR ENTRY ON THE RIGHT SIDE.



**FRONT VIEW**

LINE CONDUCTORS, & FIELD WIRING ARE PROVIDED BY THE ELECTRICAL CONTRACTOR.



FIELD WIRING BY CONTRACTOR

**TYPICAL INSTALLATION  
(COVERS REMOVED)**

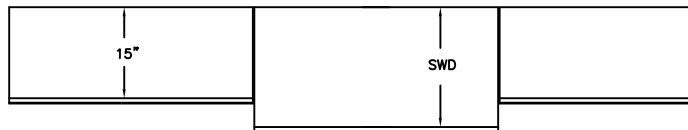
**\*\*\* NOTE \*\*\***  
LINE AND LOAD LOCATION MUST BE SPECIFIED WHEN ORDERING FOR ACCURATE CABLE ROUTING  
LINE: TOP/BOTTOM LEFT/RIGHT  
LOAD: TOP/BOTTOM LEFT/RIGHT

**ERICKSON ELECT.  
EQUIPMENT CO.**

**CURRENT TRANSFORMER CABINET & SERVICE SWITCH  
BOTTOM ENTRY (LINE) TOP EXIT (LOAD)**

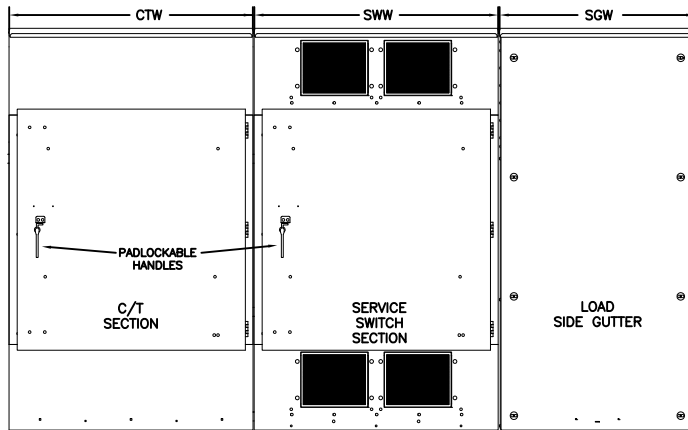
AMPACITY	CATALOG NUMBERS		DIMENSIONS				
	208Y/120V	480Y/277V	H	SGW	CTW	SWW	SWD
1200A	CTSS-00140.23	CTSS-00140.24*	66"	18"	36"	40"	21"
1600A	CTSS-00150.23	CTSS-00150.24*	66"	24"	36"	40"	21"
2000A	CTSS-00160.23	CTSS-00160.24*	66"	24"	40"	40"	21"
2500A	CTSS-00170.23	CTSS-00170.24*	66"	24"	40"	40"	21"

\* 1200 - 2500A SWITCHES RATED 480Y/277V ARE PROVIDED WITH G.F.I.



TOP VIEW

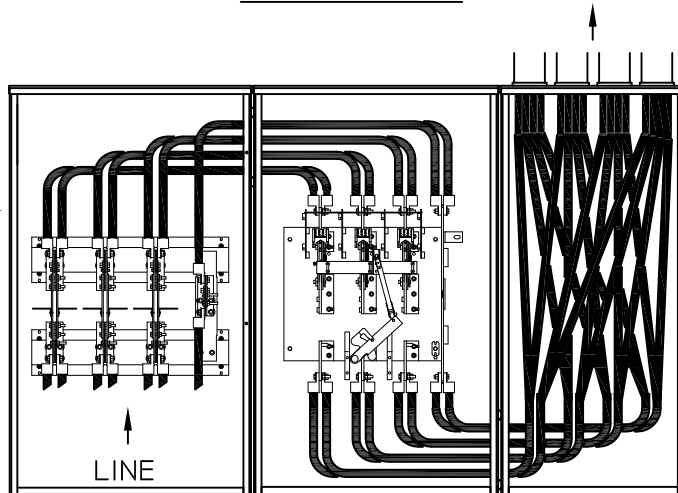
NOTE:  
THE ENCLOSURES ARE SHOWN ASSEMBLED FOR LINE CONDUCTORS ENTERING ON THE LEFT SIDE. THE ENCLOSURES MAY BE REARRANGED FOR LINE CONDUCTOR ENTRY ON THE RIGHT SIDE.



FRONT VIEW

LOAD

LINE CONDUCTORS, & FIELD WIRING ARE PROVIDED BY THE ELECTRICAL CONTRACTOR.



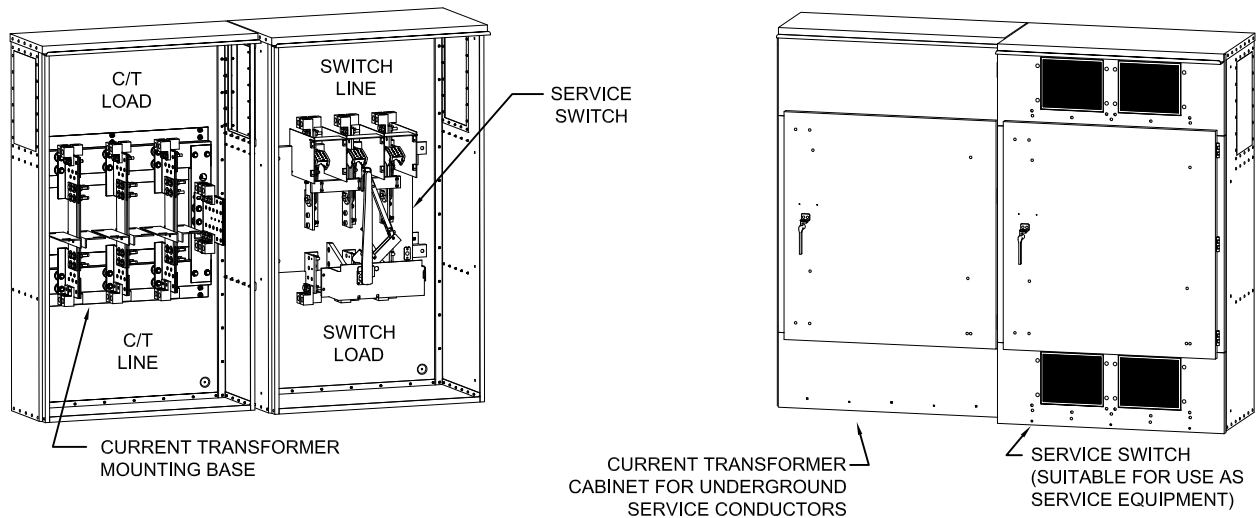
TYPICAL INSTALLATION  
(COVERS REMOVED)

**ERICKSON ELECT.  
EQUIPMENT CO.**

**\*\*\* NOTE \*\*\***

LINE AND LOAD LOCATION MUST BE SPECIFIED WHEN ORDERING  
FOR ACCURATE CABLE ROUTING  
LINE: TOP/BOTTOM LEFT/RIGHT  
LOAD: TOP/BOTTOM LEFT/RIGHT

# CURRENT TRANSFORMER CABINET & SERVICE SWITCH



CURRENT TRANSFORMER CABINET AND SERVICE SWITCH (COVERS REMOVED)

NOTE: MAY BE FIELD ASSEMBLED FOR LINE CONDUCTOR ENTRY ON LEFT (AS SHOWN) OR REVERSED FOR LINE CONDUCTOR ENTRY ON RIGHT

## THE METERING TRANSFORMER CABINET HAS THE FOLLOWING FEATURES :

- A TYPE 3R ALUMINUM ENCLOSURE WITH GALVANIZED STEEL BACK.
- LISTED BY UNDERWRITERS LABORATORIES INC. AS 'METERING TRANSFORMER CABINET' AND BEARS THEIR MARK.
- THE SHORT CIRCUIT CURRENT RATING OF THIS DEVICE IS 100,000 AMPS R.M.S. SYM. WITHOUT OVERCURRENT PROTECTION OR CABLE LACING.

## THE MAIN SERVICE SWITCH HAS THE FOLLOWING FEATURES :

- A TYPE 3R ALUMINUM ENCLOSURE WITH GALVANIZED STEEL BACK.
- SUITABLE FOR USE AS SERVICE EQUIPMENT.
- CLASS 'L' FUSIBLE.
- SUITABLE FOR USE ON A CIRCUIT CAPABLE OF DELIVERING NOT MORE THAN 200,000 R.M.S. SYM. AMPERES.
- LISTED BY UNDERWRITERS LABORATORIES INC. AS 'FUSED POWER CIRCUIT DEVICE' AND BEARS THEIR MARK.
- LINE LUGS AT TOP, LOAD LUGS AT BOTTOM. LOAD CONDUCTORS MAY EXIT FROM BOTTOM, BACK OR SIDE. A LOAD WIRING GUTTER MAY BE USED WHEN TOP EXIT OF LOAD CONDUCTORS IS REQUIRED.
- BUSHED OPENINGS BETWEEN ENCLOSURES ALLOW PASSAGE OF FIELD INSTALLED CONDUCTORS WITHOUT PULLING KNOCK OUTS OR INSTALLING CONDUITS.
- SIDE OPENINGS AND BUSHING KITS MAKE IT POSSIBLE TO ARRANGE THE ABOVE ENCLOSURES FOR LINE ENTRY FROM LEFT (AS SHOWN) OR FOR LINE CONDUCTOR ENTRY FROM RIGHT.

**ERICKSON ELECTRICAL EQUIPMENT CO.**  
475 BONNIE LANE • ELK GROVE VILLAGE, IL 60007  
TELEPHONE: (847) 640-7701 / 1-800-952-7225  
FAX: (847) 640-0565